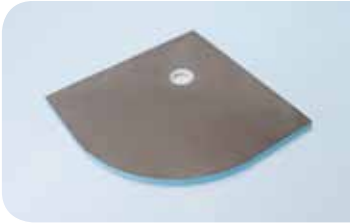


Fundo floor elements / wall elements / designer showers

wedi Fundo *Borgo* | floor element, offset drain

Please note: Matching drain. Order now!

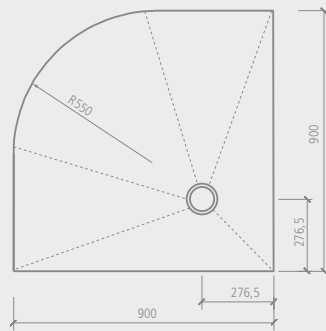


Description	Length x width x thickness	Packing unit / palette	Order no.
wedi Fundo Borgo, floor element	900 x 900 x 40 mm	10 units	07-37-35/576
wedi Fundo Borgo, floor element	1000 x 1000 x 40 mm	10 units	07-37-36/576

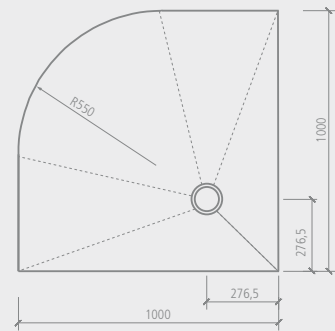
- ! One packing unit = 10 pieces; all Fundo floor elements combinable, individual purchase possible!
 - ! Only wedi drainage systems for Fundo can be installed with Fundo floor elements.
- m²** Fundo Borgo, floor element:
- 900 x 900 mm: approx. 0.80 m²
 - 1000 x 1000 mm: approx. 1.00 m²

Technical drawings

Fundo Borgo 900 x 900 mm

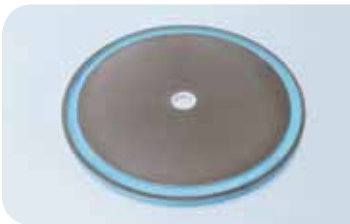


Fundo Borgo 1000 x 1000 mm



wedi Fundo *Trollo* | floor element, central drain

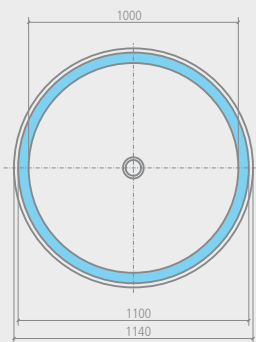
Please note: Matching drain. Order now!



Description	External diameter x thickness	Packing unit / palette	Order no.
wedi Fundo Trollo, floor element	Ø 1140 x 40 mm	10 units	07-37-36/575

- ! One packing unit = 10 pieces; all Fundo floor elements combinable, individual purchase possible!
 - ! Only wedi drainage systems for Fundo can be installed with Fundo floor elements.
- m²** Fundo Trollo, floor element: approx. 0.80 m²

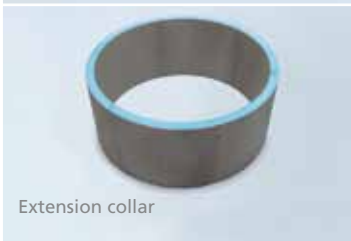
Technical drawings



wedi Fundo *Trollo* | wall element



Fundo Trollo, wall element



Extension collar



Fundo Trollo wall element with glass swinging door

Description	Height	Packing unit	Order no.
wedi Fundo Trollo, wall element	2015 mm	1 unit	04-17-09/002

Options			
Extension collar	500 mm	1 unit	04-17-09/052
Glass swing door	1990 mm	1 unit	60-80-01/100
Glass sliding door	1900 mm	1 unit	60-80-01/200

! • The glass door can only be mounted after tiling.

Fundo Trollo, wall element:

- 2 Wall segments type A
- 3 wall segments type B
- 5 springs
- 2 x 25 m self adhesive joint reinforcement tape
- 3 x wedi 610, adhesive sealant

m² Fundo Trollo, wall element:

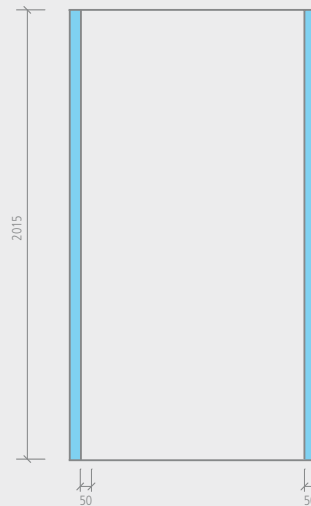
- Inside wall: approx. 5.30 m²
- Outside wall: approx. 6.00 m²

Extension collar:

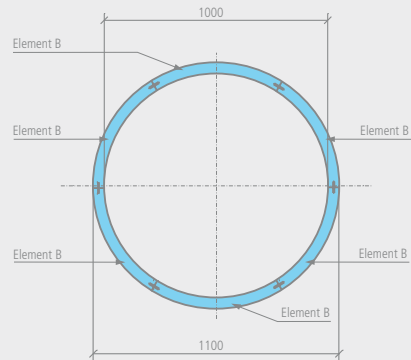
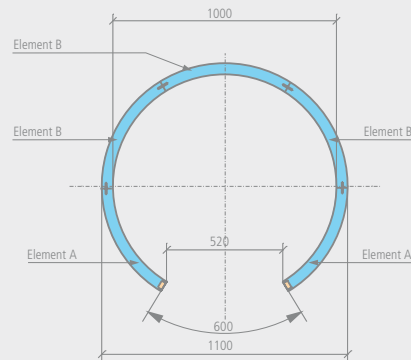
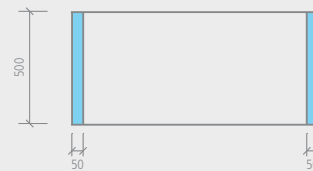
- Inside wall: approx. 1.60 m²
- Outside wall: approx. 1.80 m²

Technical drawings

Fundo Trollo, wall element



Fundo Trollo, extension collar

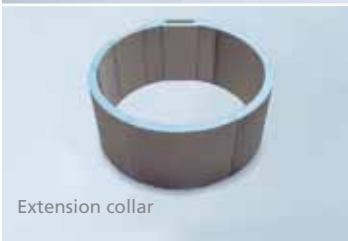


Fundo floor elements / wall elements / designer showers

wedi Fundo *Trollo libero* | wall element



Fundo Trollo *libero*, designer shower



Extension collar



Fundo Trollo *libero*, designer shower, with glass swing door

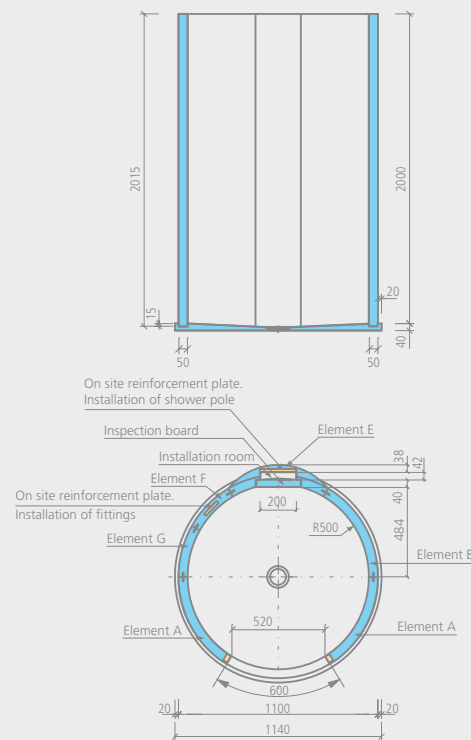
Description	Height	Packing unit	Order no.
wedi Fundo Trollo <i>libero</i> , wall element	2040 mm	1 unit	04-17-09/003

Options			
Extension collar	500 mm	1 unit	04-17-09/053
Glass swing door	1990 mm	1 unit	60-80-01/100
Glass sliding door	1900 mm	1 unit	60-80-01/200

- !** The Fundo Trollo *libero* can be positioned anywhere in the room.
 - The glass door can only be mounted after tiling.
 - Required installation material (wedi reinforcement tape, wedi 610 adhesive sealant) must be ordered separately.
- 2 x labour**
- m²** Fundo Trollo *libero*, wall element:
- Inside wall: approx. 5.30 m²
 - Outside wall: approx. 6.10 m²
- Extension collar:**
- Inside wall: approx. 1.60 m²
 - Outside wall: approx. 1.80 m²
- Scope of delivery:**
- 2 wall segments type A
 - 1 wall segment type B
 - 1 wall segment type E
 - (with reinforcement for fittings and shower head)
 - 1 wall segment type F
 - (with reinforcement for installing the shower rail)
 - 1 wall segment type G
 - 1 inspection board (BA 40)
 - 5 springs

Technical drawings

Fundo Trollo *libero*, designer shower



Fundo Trollo *libero*, extension collar

