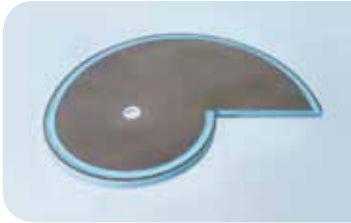


wedi Fundo *Nautilo* | floor element, right entry

Please note:
Matching drain.
Order now!



Description

wedi Fundo Nautilo, floor element,
right entry

Length x width x thickness

Packing unit / palette

Order no.

1890 x 1515 x 50 mm

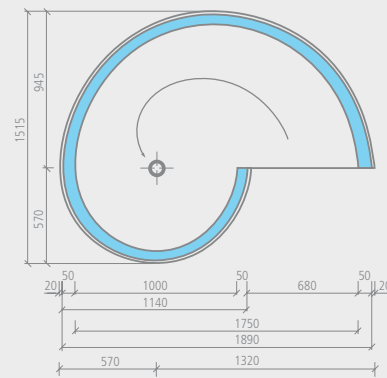
10 units

07-37-36/066

- ! • One packing unit = 10 pieces; all Fundo floor elements combinable, individual purchase possible!
- Only wedi drainage systems for Fundo can be installed with Fundo floor elements.

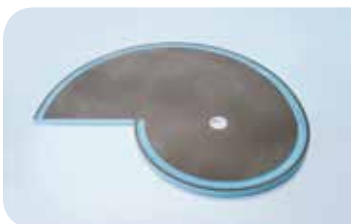
m² Fundo Nautilo, floor element:
approx. 1.60 m²

Technical drawings



wedi Fundo *Nautilo* | floor element, left entry

Please note:
Matching drain.
Order now!



Description

wedi Fundo Nautilo, floor element,
left entry

Length x width x thickness

Packing unit / palette

Order no.

1890 x 1515 x 50 mm

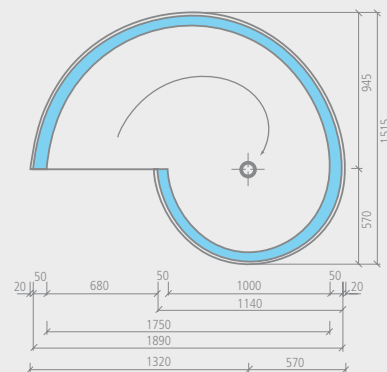
10 units

07-37-36/065

- ! • One packing unit = 10 pieces; all Fundo floor elements combinable, individual purchase possible!
- Only wedi drainage systems for Fundo can be installed with Fundo floor elements.

m² Fundo Nautilo, floor element:
approx. 1.60 m²

Technical drawings

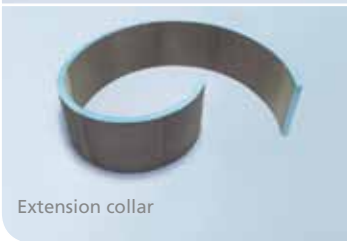


Fundo floor elements / wall elements / designer showers

wedi Fundo *Nautilo* | wall element



Fundo Nautilo, wall element



Extension collar

Description	Height	Packing unit	Order no.
wedi Fundo Nautilo, wall element	2015 mm	1 unit	04-17-08/000
+ Option			
Extension collar	500 mm	1 unit	04-17-08/052

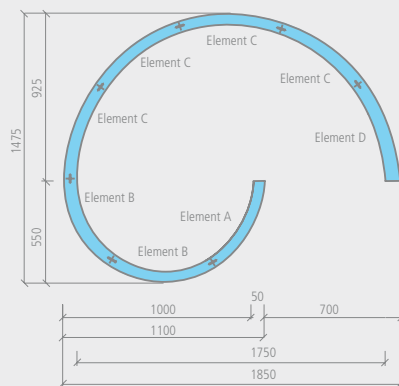
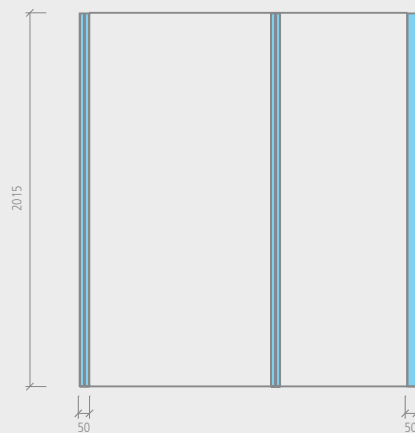
! The Fundo Nautilo wall element can be installed for right or left entry.

- +** Fundo Nautilo wall element:
- 1 type A wall segment
 - 2 type B wall segments
 - 4 type C wall segments
 - 1 type D wall segment
 - 7 springs
 - 2 x 25 m self-adhesive sealing tape
 - 4 wedi 610 adhesive sealant

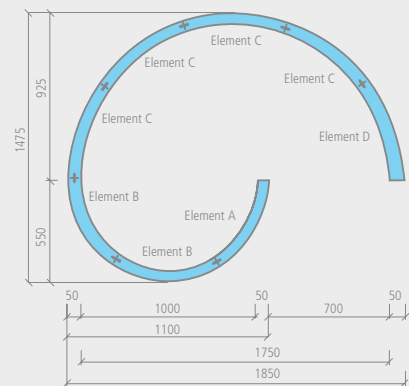
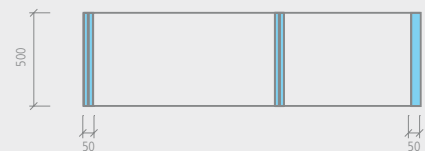
- m²** Fundo Nautilo, wall element:
- Inside wall: approx. 8.70 m²
 - Outside wall: approx. 9.60 m²
- Extension collar:
- Inside wall: approx. 2.15 m²
 - Outside wall: approx. 2.40 m²

Technical drawings

Fundo Nautilo, wall element



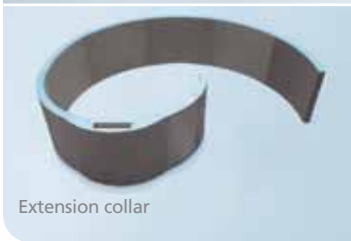
Fundo Nautilo, extension collar



wedi Fundo *Nautilo libero* | wall element



Fundo Nautilo *libero*, designer shower, entry on the right



Extension collar

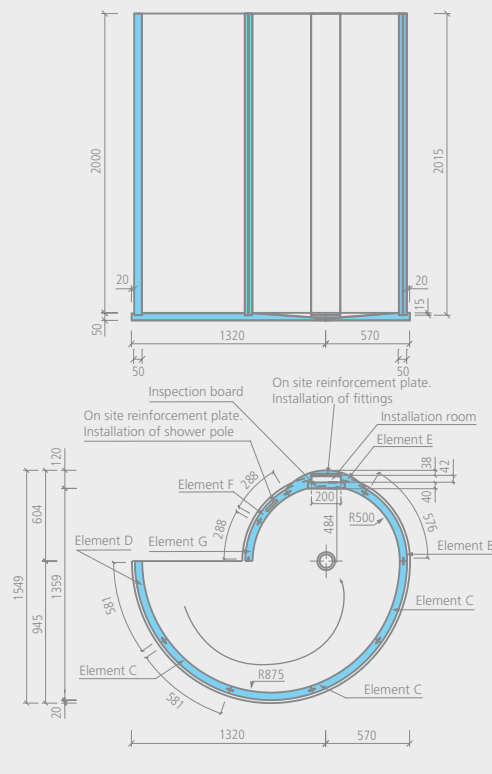
Description	Height	Packing unit	Order no.
wedi Fundo Nautilo <i>libero</i> , wall element	2050 mm	1 unit	04-17-08/002

Option	Height	Packing unit	Order no.
Extension collar	500 mm	1 unit	04-17-08/053

- ! • The Fundo Nautilo *libero* can be positioned anywhere in the room. 2 x labour
 - The Fundo Nautilo wall element can be installed for right or left entry.
 - Required installation material (wedi reinforcement tape, wedi 610 adhesive sealant) must be ordered separately.
- Fundo Nautilo *libero*, wall element:
- Inside wall: approx. 8.70 m²
 - Outside wall: approx. 9.70 m²
- Extension collar:
- Inside wall: approx. 2.20 m²
 - Outside wall: approx. 2.50 m²
- Fundo Nautilo *libero*, wall element:
- 1 wall segment type B
 - 4 wall segments type C
 - 1 wall segment type D
 - 1 wall segment type E (with reinforcement for fittings and shower head)
 - 1 wall segment type F (with reinforcement for installing the shower rail)
 - 1 wall segment type G
 - 1 inspection board (BA 40)
 - 8 springs

Technical drawings

Fundo Nautilo *libero*, designer shower



Fundo Nautilo *libero*, extension collar

