

Fundo floor elements / wall elements / designer showers

wedi Fundo *Borgo* | floor element, offset drain

Please note: Matching drain. Order now!

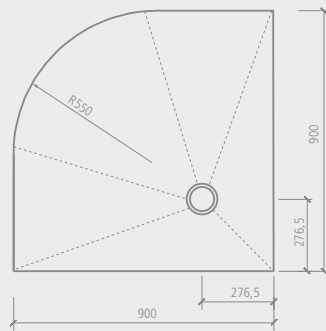


Description	Length x width x thickness	Packing unit / palette	Order no.
wedi Fundo Borgo, floor element	900 x 900 x 40 mm	10 units	07-37-35/576
wedi Fundo Borgo, floor element	1000 x 1000 x 40 mm	10 units	07-37-36/576

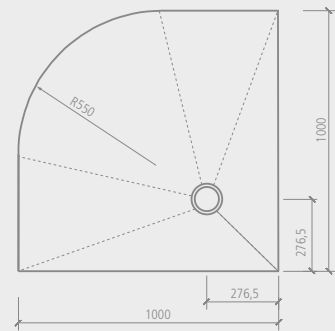
- ! One packing unit = 10 pieces; all Fundo floor elements combinable, individual purchase possible!
  - ! Only wedi drainage systems for Fundo can be installed with Fundo floor elements.
- m<sup>2</sup>** Fundo Borgo, floor element:
- 900 x 900 mm: approx. 0.80 m<sup>2</sup>
  - 1000 x 1000 mm: approx. 1.00 m<sup>2</sup>

Technical drawings

Fundo Borgo 900 x 900 mm

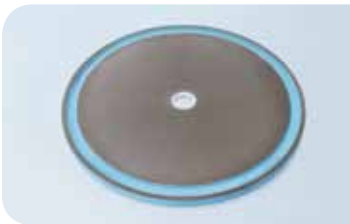


Fundo Borgo 1000 x 1000 mm



wedi Fundo *Trollo* | floor element, central drain

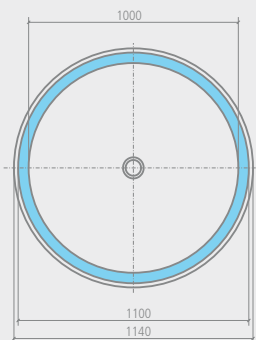
Please note: Matching drain. Order now!



Description	External diameter x thickness	Packing unit / palette	Order no.
wedi Fundo Trollo, floor element	Ø 1140 x 40 mm	10 units	07-37-36/575

- ! One packing unit = 10 pieces; all Fundo floor elements combinable, individual purchase possible!
  - ! Only wedi drainage systems for Fundo can be installed with Fundo floor elements.
- m<sup>2</sup>** Fundo Trollo, floor element: approx. 0.80 m<sup>2</sup>

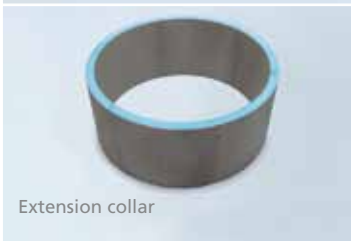
Technical drawings



# wedi Fundo *Trollo* | wall element



Fundo Trollo, wall element



Extension collar



Fundo Trollo wall element with glass swinging door

Description	Height	Packing unit	Order no.
wedi Fundo Trollo, wall element	2015 mm	1 unit	04-17-09/002

Options			
Extension collar	500 mm	1 unit	04-17-09/052
Glass swing door	1990 mm	1 unit	60-80-01/100
Glass sliding door	1900 mm	1 unit	60-80-01/200

! • The glass door can only be mounted after tiling.

**Fundo Trollo, wall element:**

- 2 Wall segments type A
- 3 wall segments type B
- 5 springs
- 2 x 25 m self adhesive joint reinforcement tape
- 3 x wedi 610, adhesive sealant

**m² Fundo Trollo, wall element:**

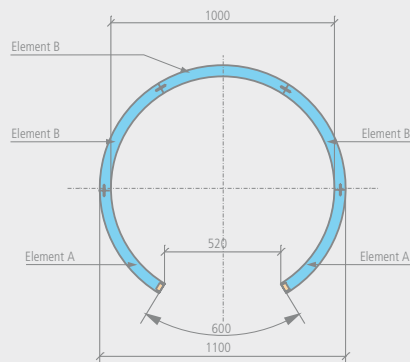
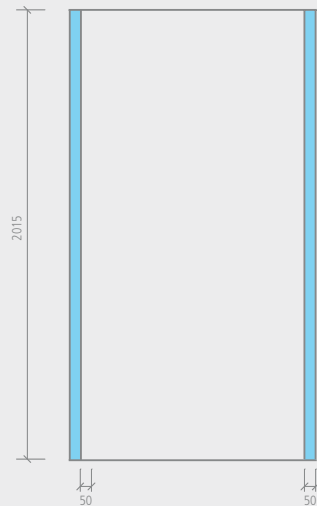
- Inside wall: approx. 5.30 m²
- Outside wall: approx. 6.00 m²

**Extension collar:**

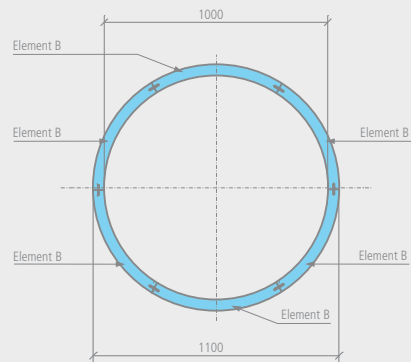
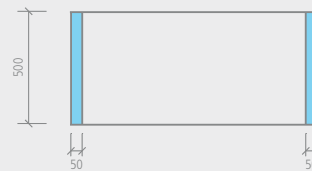
- Inside wall: approx. 1.60 m²
- Outside wall: approx. 1.80 m²

Technical drawings

Fundo Trollo, wall element



Fundo Trollo, extension collar

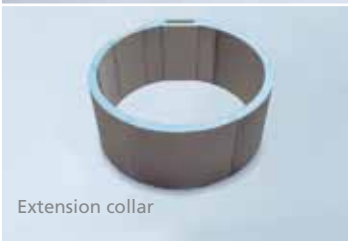


# Fundo floor elements / wall elements / designer showers

## wedi Fundo *Trollo libero* | wall element



Fundo Trollo *libero*, designer shower



Extension collar



Fundo Trollo *libero*, designer shower, with glass swing door

Description	Height	Packing unit	Order no.
wedi Fundo Trollo <i>libero</i> , wall element	2040 mm	1 unit	04-17-09/003

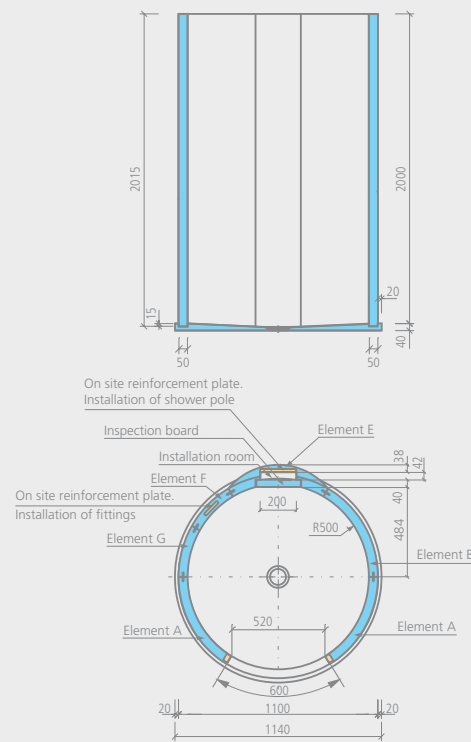
Options			
Extension collar	500 mm	1 unit	04-17-09/053
Glass swing door	1990 mm	1 unit	60-80-01/100
Glass sliding door	1900 mm	1 unit	60-80-01/200

- !** The Fundo Trollo *libero* can be positioned anywhere in the room.
- The glass door can only be mounted after tiling.
- Required installation material (wedi reinforcement tape, wedi 610 adhesive sealant) must be ordered separately.

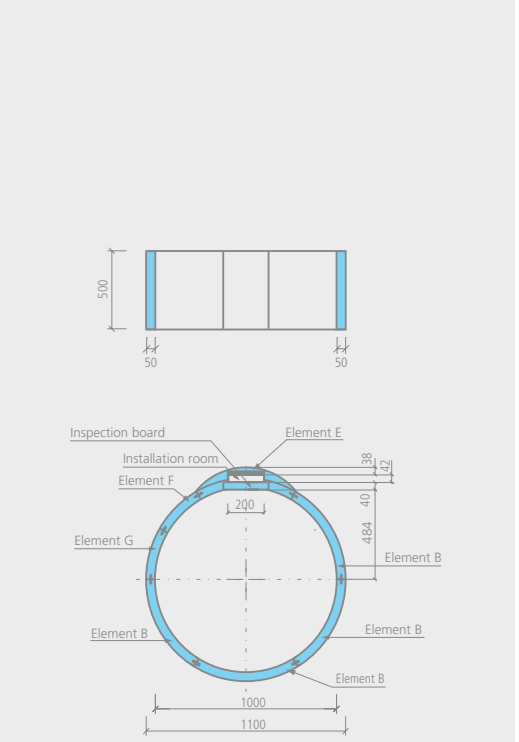
- 👷** Options
- 👤** 2 x labour
  - m²** Fundo Trollo *libero*, wall element:
    - Inside wall: approx. 5.30 m<sup>2</sup>
    - Outside wall: approx. 6.10 m<sup>2</sup>
  - Extension collar:**
    - Inside wall: approx. 1.60 m<sup>2</sup>
    - Outside wall: approx. 1.80 m<sup>2</sup>
- 👷** Fundo Trollo *libero*, wall element:
- 2 wall segments type A
  - 1 wall segment type B
  - 1 wall segment type E
  - (with reinforcement for fittings and shower head)
  - 1 wall segment type F
  - (with reinforcement for installing the shower rail)
  - 1 wall segment type G
  - 1 inspection board (BA 40)
  - 5 springs

### Technical drawings

Fundo Trollo *libero*, designer shower

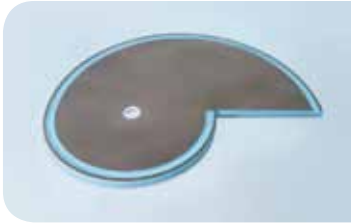


Fundo Trollo *libero*, extension collar



## wedi Fundo *Nautilo* | floor element, right entry

Please note:  
Matching drain.  
Order now!



### Description

wedi Fundo Nautilo, floor element,  
right entry

Length x width x thickness

Packing unit / palette

Order no.

1890 x 1515 x 50 mm

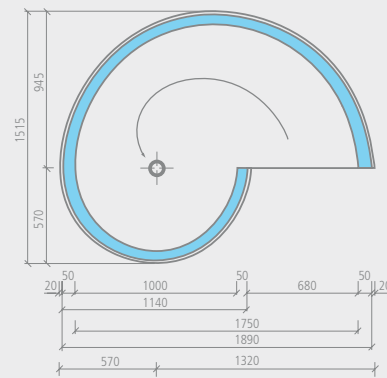
10 units

07-37-36/066

- ! One packing unit = 10 pieces; all Fundo floor elements combinable, individual purchase possible!
- Only wedi drainage systems for Fundo can be installed with Fundo floor elements.

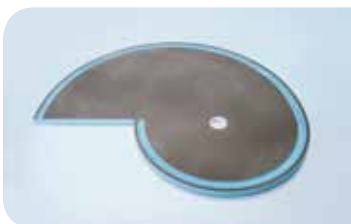
**m<sup>2</sup>** Fundo Nautilo, floor element:  
approx. 1.60 m<sup>2</sup>

### Technical drawings



## wedi Fundo *Nautilo* | floor element, left entry

Please note:  
Matching drain.  
Order now!



### Description

wedi Fundo Nautilo, floor element,  
left entry

Length x width x thickness

Packing unit / palette

Order no.

1890 x 1515 x 50 mm

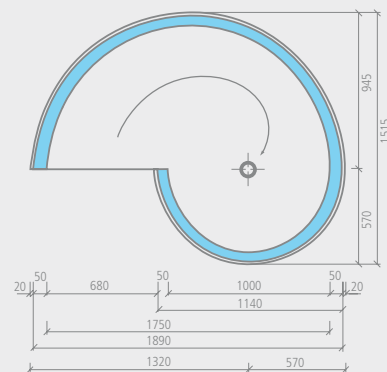
10 units

07-37-36/065

- ! One packing unit = 10 pieces; all Fundo floor elements combinable, individual purchase possible!
- Only wedi drainage systems for Fundo can be installed with Fundo floor elements.

**m<sup>2</sup>** Fundo Nautilo, floor element:  
approx. 1.60 m<sup>2</sup>

### Technical drawings

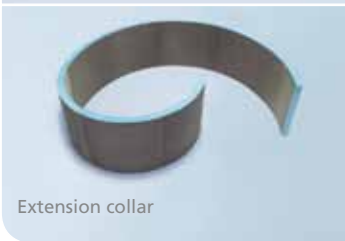


# Fundo floor elements / wall elements / designer showers

## wedi Fundo *Nautilo* | wall element



Fundo Nautilo, wall element



Extension collar

Description	Height	Packing unit	Order no.
wedi Fundo Nautilo, wall element	2015 mm	1 unit	04-17-08/000

Option	Height	Packing unit	Order no.
Extension collar	500 mm	1 unit	04-17-08/052

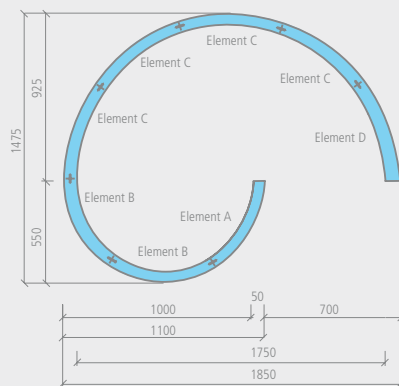
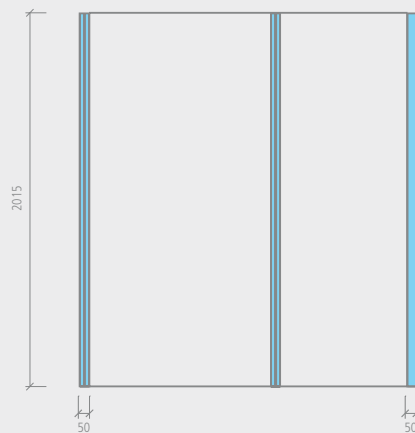
**!** The Fundo Nautilo wall element can be installed for right or left entry.

- 📦** Fundo Nautilo wall element:
- 1 type A wall segment
  - 2 type B wall segments
  - 4 type C wall segments
  - 1 type D wall segment
  - 7 springs
  - 2 x 25 m self-adhesive sealing tape
  - 4 wedi 610 adhesive sealant

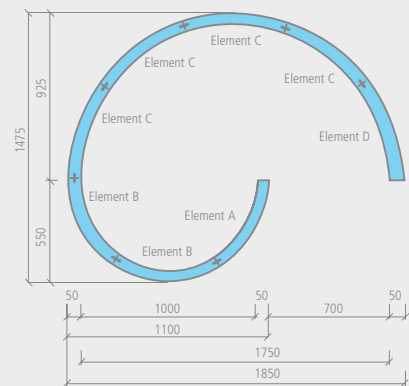
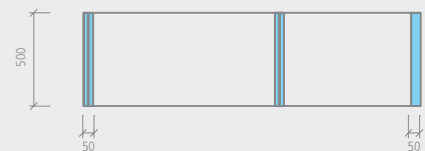
- m²** Fundo Nautilo, wall element:
- Inside wall: approx. 8.70 m²
  - Outside wall: approx. 9.60 m²
- Extension collar:**
- Inside wall: approx. 2.15 m²
  - Outside wall: approx. 2.40 m²

### Technical drawings

Fundo Nautilo, wall element



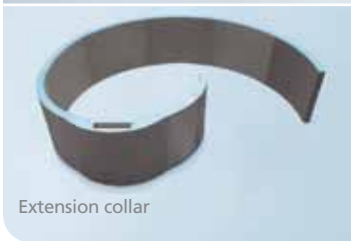
Fundo Nautilo, extension collar



# wedi Fundo *Nautilo libero* | wall element



Fundo Nautilo *libero*, designer shower, entry on the right



Extension collar

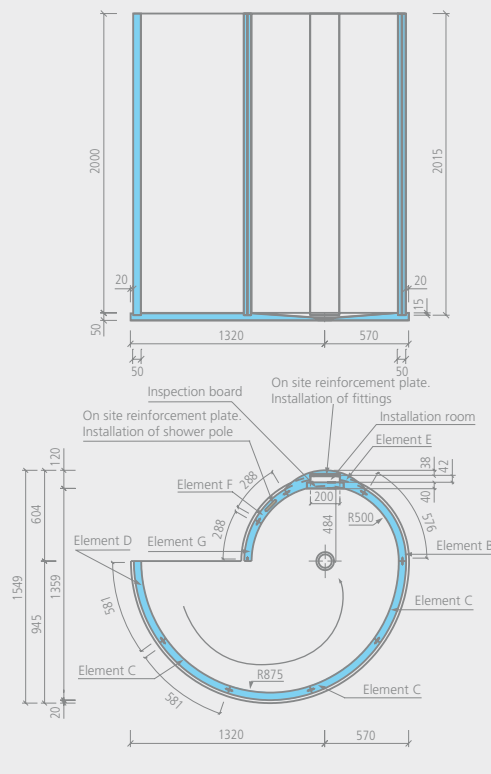
Description	Height	Packing unit	Order no.
wedi Fundo Nautilo <i>libero</i> , wall element	2050 mm	1 unit	04-17-08/002

Option	Height	Packing unit	Order no.
Extension collar	500 mm	1 unit	04-17-08/053

- ! The Fundo Nautilo *libero* can be positioned anywhere in the room. 2 x labour
- The Fundo Nautilo wall element can be installed for right or left entry.
- Required installation material (wedi reinforcement tape, wedi 610 adhesive sealant) must be ordered separately.
- Fundo Nautilo *libero*, wall element:**
  - Inside wall: approx. 8.70 m<sup>2</sup>
  - Outside wall: approx. 9.70 m<sup>2</sup>
- Extension collar:**
  - Inside wall: approx. 2.20 m<sup>2</sup>
  - Outside wall: approx. 2.50 m<sup>2</sup>
- Fundo Nautilo *libero*, wall element:**
  - 1 wall segment type B
  - 4 wall segments type C
  - 1 wall segment type D
  - 1 wall segment type E (with reinforcement for fittings and shower head)
  - 1 wall segment type F (with reinforcement for installing the shower rail)
  - 1 wall segment type G
  - 1 inspection board (BA 40)
  - 8 springs

## Technical drawings

Fundo Nautilo *libero*, designer shower



Fundo Nautilo *libero*, extension collar

