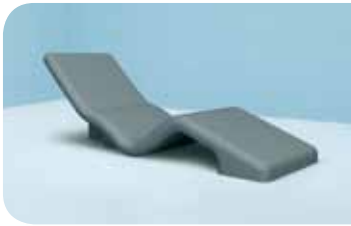


wedi Sanoasa *Lounger 1* | lounger



Description

- wedi Sanoasa Lounger 1, lounger without heating
- wedi Sanoasa Lounger 1, lounger with electric heating
- wedi Sanoasa Lounger 1, lounger with hot water heating

Length x width x height

- 1920 x 700 x 672 mm
- 1920 x 700 x 672 mm
- 1920 x 700 x 672 mm

Order no.

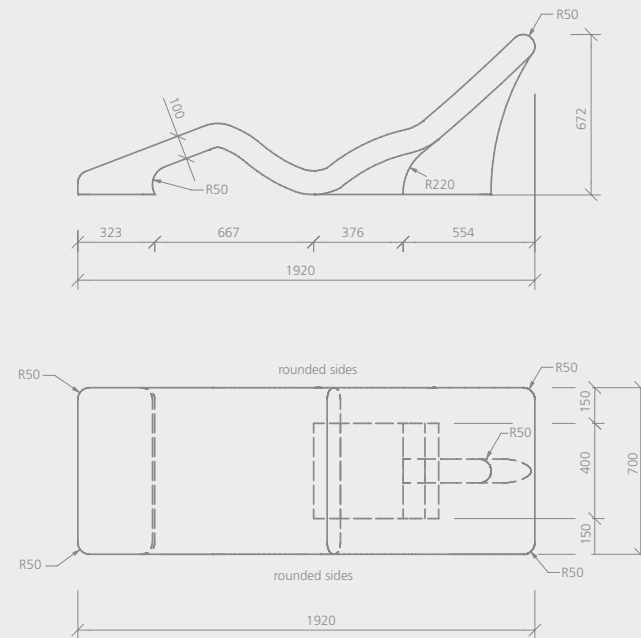
- 07-64-00/042
- 07-64-00/043
- 07-64-00/044

- ! • The delivery time for loungers is approx. 5 – 6 weeks.
- Customised products are offered on a project-by-project basis.
- The electrical heating set delivery contains a flush-mounted thermostat for dry areas. Alternatively, a thermostat for connections in a switching cabinet is available.
- The lounger element shall be glued to the carrier element using wedi 610 adhesive sealant.

- m² Lounger element:
- Carrier element:

- approx. 4.15 m²
- approx. 0.47 m²

Technical drawings



Sanoasa lounger

wedi Sanoasa *Lounger 2* | lounger

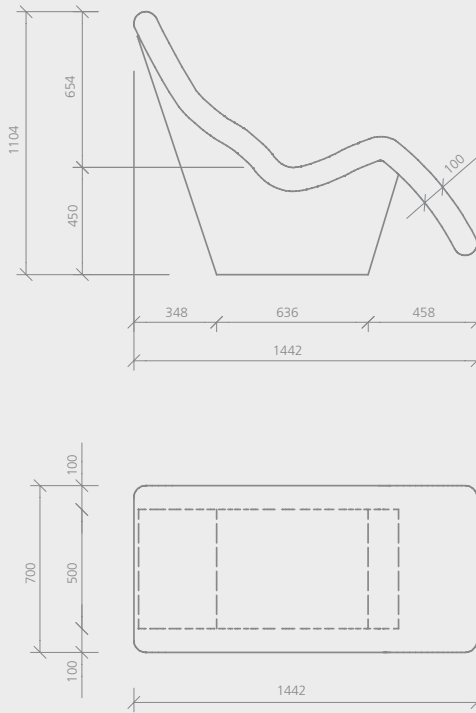


Description	Length x width x height	Order no.
wedi Sanoasa Lounger 2, lounger without heating	1442 x 700 x 1104 mm	07-64-00/045
wedi Sanoasa Lounger 2, lounger with electric heating	1442 x 700 x 1104 mm	07-64-00/046
wedi Sanoasa Lounger 2, lounger with hot water heating	1442 x 700 x 1104 mm	07-64-00/047

- ! • The delivery time for loungers is approx. 5 – 6 weeks.
- Customised products are offered on a project-by-project basis.
- The electrical heating set delivery contains a flush-mounted thermostat for dry areas. Alternatively, a thermostat for connections in a switching cabinet is available.
- The lounger element shall be glued to the carrier element using wedi 610 adhesive sealant.

m² Lounger element: approx. 2.33 m²
 Carrier element: approx. 1.51 m²

Technical drawings



wedi Sanoasa Lounger 3 | lounger



Description

wedi Sanoasa Lounger 3, lounger without heating

wedi Sanoasa Lounger 3, lounger with electric heating

wedi Sanoasa Lounger 3, lounger with hot water heating

Length x width x height

Order no.

1856 x 700 x 764 mm

07-64-00/049

1856 x 700 x 764 mm

07-64-00/050

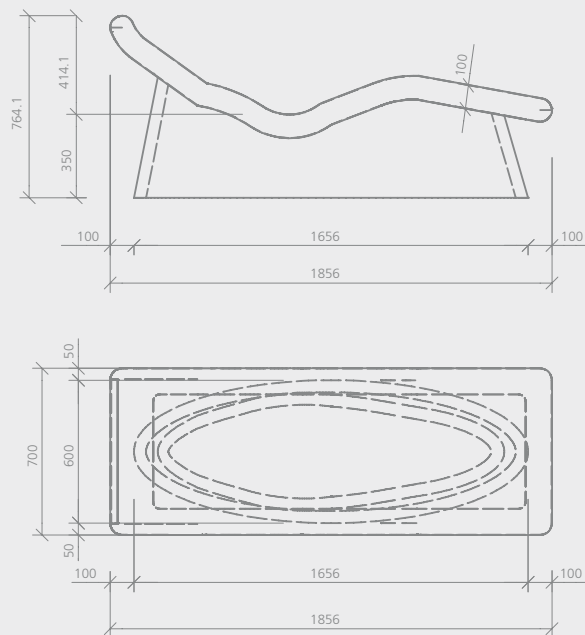
1856 x 700 x 764 mm

07-64-00/051

- ! • The delivery time for loungers is approx. 5 – 6 weeks.
- Customised products are offered on a project-by-project basis.
- The electrical heating set delivery contains a flush-mounted thermostat for dry areas. Alternatively, a thermostat for connections in a switching cabinet is available.
- The lounger element shall be glued to the carrier element using wedi 610 adhesive sealant.

m² Lounger element: approx. 3.07 m²
Carrier element: approx. 1.28 m²

Technical drawings



Sanoasa lounger

wedi Sanoasa Lounger 4 | lounger

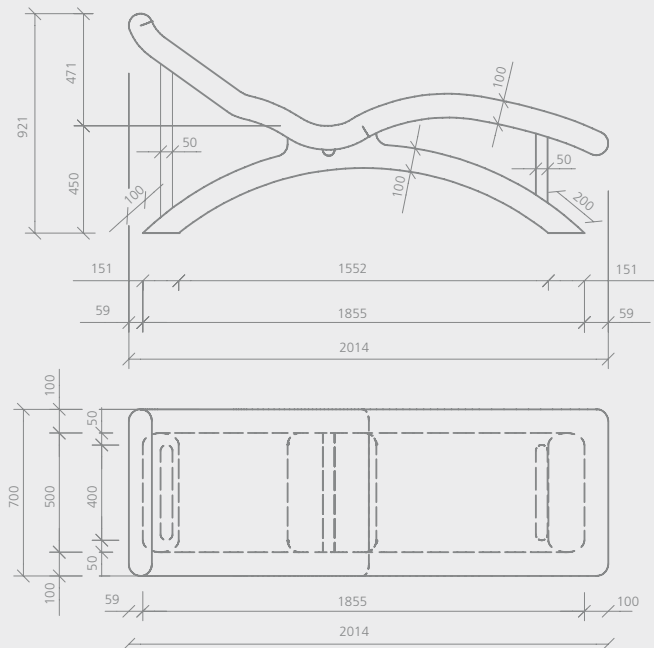


Description	Length x width x height	Order no.
wedi Sanoasa Lounger 4, lounger without heating	2014 x 700 x 921 mm	07-64-00/053
wedi Sanoasa Lounger 4, lounger with electric heating	2014 x 700 x 921 mm	07-64-00/054
wedi Sanoasa Lounger 4, lounger with hot water heating	2014 x 700 x 921 mm	07-64-00/055

- ! The delivery time for loungers is approx. 5 – 6 weeks.
- Customised products are offered on a project-by-project basis.
- The electrical heating set delivery contains a flush-mounted thermostat for dry areas. Alternatively, a thermostat for connections in a switching cabinet is available.
- The lounger element shall be glued to the carrier element using wedi 610 adhesive sealant.

m ² Lounger element:	approx. 3,18 m ²
Carrier element:	approx. 3,05 m ²

Technical drawings



wedi Sanoasa Lounger 5 | lounger



Description

wedi Sanoasa Lounger 5, lounger without heating
wedi Sanoasa Lounger 5, lounger with electric heating
wedi Sanoasa Lounger 5, lounger with hot water heating

Length x width x height

Order no.

1738 x 700 x 890 mm	07-64-00/059
1738 x 700 x 890 mm	07-64-00/060
1738 x 700 x 890 mm	07-64-00/061

- ! The delivery time for loungers is approx. 5 – 6 weeks.
- Customised products are offered on a project-by-project basis.
- The electrical heating set delivery contains a flush-mounted thermostat for dry areas. Alternatively, a thermostat for connections in a switching cabinet is available.

m² Loungerelement inkl. Carrier element:
approx. 4,16 m²

Technical drawings

