

# Sanoasa multicenter

## wedi Sanoasa *Libertà* | multicenter



### Description

#### wedi Sanoasa Libertà

Packing unit

Order no.

1 unit

07-66-70/000

- !** Delivery takes 6–7 weeks. The Sanoasa Multicenter is only suitable for use in homes and not in commercial properties.
- The multicenter are also available with the following options:
  - Pre-installed vapour barrier
  - Exclusive shower panel
  - Exclusive shower panel / Raindance
  - LED technology set of 4 lamps
  - Fibre glass cable 50 fibres / light points

**👤** 2 x labour

#### **m²** Sanoasa Libertà:

(Details plus tile cut-offs)

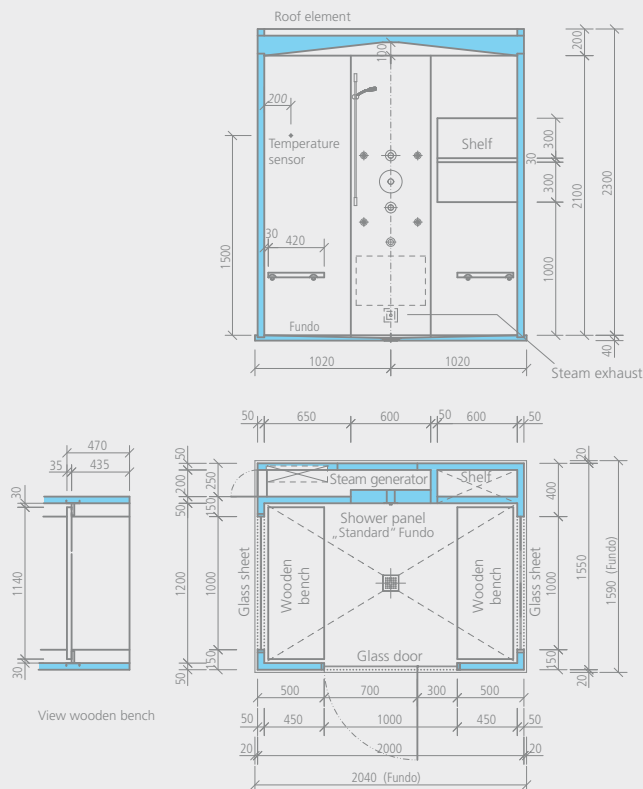
- Inside surface: approx. 7.80 m<sup>2</sup>
- External surface: approx. 9.50 m<sup>2</sup>
- Only rear panel: approx. 4.70 m<sup>2</sup>
- Floor: approx. 2.30 m<sup>2</sup>

- i** All Sanoasa multicenters can also be produced according to individual dimensions and design requirements. Please ask for an individual quotation (for wedi contact data please see page 2). Further RAL colours for roof coatings are available on request.

#### **👤** Sanoasa Libertà

- Ready-to-install wall and roof elements
- Fundo floor element inclusive of drain
- Steam technology: steam generator inc. pre-installed pipes
- Shower technology: fully pre-installed pipes for the hand shower
- Massage technology: fully pre-installed pipes for 4 massage jets
- Cover plate for steam outlet nozzle made of stainless steel
- Glass door with metal fittings and door knob
- Inspection door
- hansgrohe pre-fabricated sets
- Coloured roof coating in RAL colour 9010
- 2 seating elements made of teak
- 2 glass walls including profile system
- 2 halogen lamps
- 2 loud speakers

### Technical drawings



# wedi Sanoasa *Esotica* | multicenter



## Description

wedi Sanoasa Esotica

Packing unit

1 unit

Order no.

07-66-80/000

- ! • Delivery takes 6–7 weeks. The Sanoasa Multicenter is only suitable for use in homes and not in commercial properties.
- The multicenter are also available with the following options:
  - Pre-installed vapour barrier
  - Exclusive shower panel
  - Exclusive shower panel / Raindance
  - LED technology set of 4 lamps
  - Fibre glass cable 50 fibres / light points

2 x labour

m<sup>2</sup> Sanoasa Esotica:

(Details plus tile cut-offs)

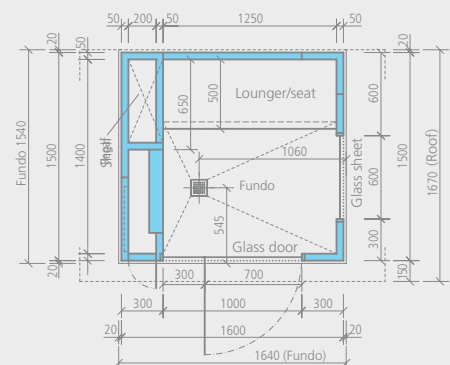
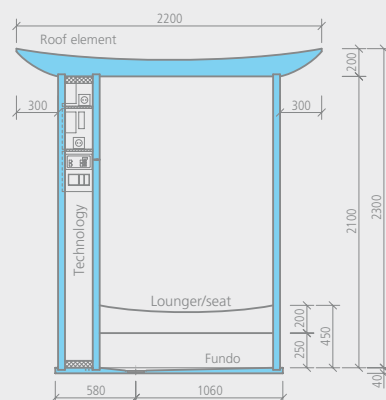
- Inside surface: approx. 8.80 m<sup>2</sup>
- External surface: approx. 10.00 m<sup>2</sup>
- Only rear panel: approx. 3.40 m<sup>2</sup>
- Floor: approx. 1.30 m<sup>2</sup>
- Seating: approx. 1.30 m<sup>2</sup>

- i • All Sanoasa multicenters can also be produced according to individual dimensions and design requirements. Please ask for an individual quotation (for wedi contact data please see page 2). Further RAL colours for roof coatings are available on request.

Sanoasa Esotica

- Ready-to-install wall and roof elements
- Fundo floor element inclusive of drain
- Steam technology: steam generator inc. pre-installed pipes
- Shower technology: fully pre-installed pipes for the hand shower
- Massage technology: fully pre-installed pipes for 4 massage jets
- Cover plate for steam outlet nozzle made of stainless steel
- Inspection door
- hansgrohe pre-fabricated sets
- Coloured roof coating in RAL colour 9010
- Tileable seating element
- Glass door with metal fittings and door knob
- 1 glass wall including profile system
- 2 halogen lamps
- 1 loud speaker

## Technical drawings



# Sanoasa multicenter

## wedi Sanoasa *Agola* | multicenter



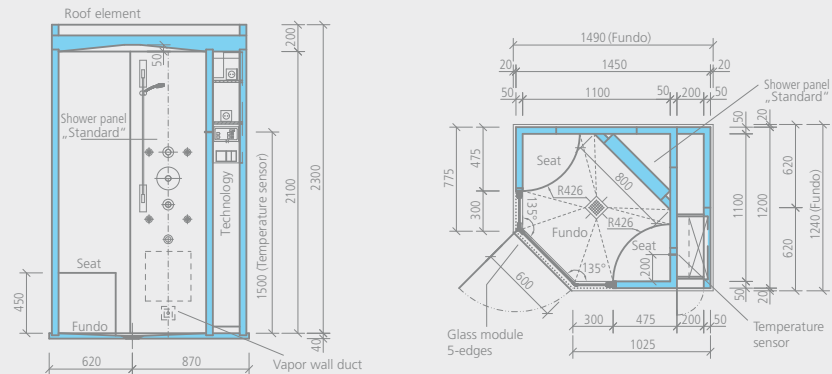
Description	Packing unit	Order no.
wedi Sanoasa Agola	1 unit	07-66-90/000

- !** Delivery takes 6–7 weeks. The Sanoasa Multicenter is only suitable for use in homes and not in commercial properties.
- The multicenter are also available with the following options:
  - Pre-installed vapour barrier
  - Exclusive shower panel
  - Exclusive shower panel / Raindance
  - LED technology set of 2 lamps
  - Fibre glass cable 50 fibres / light points

- i** All Sanoasa multicenters can also be produced according to individual dimensions and design requirements. Please ask for an individual quotation (for wedi contact data please see page 2). Further RAL colours for roof coatings are available on request.
- m²** Sanoasa Agola: (Details plus tile cut-offs)
  - Inside surface: approx. 5.30 m<sup>2</sup>
  - External surface: approx. 2.30 m<sup>2</sup>
  - only rear panel 1: approx. 3.50 m<sup>2</sup>
  - only rear panel 2: approx. 2.90 m<sup>2</sup>
  - Floor: approx. 0.85 m<sup>2</sup>
  - Seating: approx. 0.90 m<sup>2</sup>

- +** Sanoasa Agola
  - Ready-to-install wall and roof elements
  - Fundo floor element inclusive of drain
  - Steam technology: steam generator inc. pre-installed pipes
  - Shower technology: fully pre-installed pipes for the hand shower
  - Massage technology: fully pre-installed pipes for 4 massage jets
  - Cover plate for steam outlet nozzle made of stainless steel
  - Inspection door
  - hansgrohe pre-fabricated sets
  - Coloured roof coating in RAL colour 9010
  - 2 tileable stools
  - Glass modules including profile system, door
  - 2 halogen lamps
  - 1 loud speaker

### Technical drawings



# wedi Sanoasa *Porta* | multicenter



## Description

wedi Sanoasa Porta

Packing unit

1 unit

Order no.

07-67-00/000

- ! • Delivery takes 6–7 weeks. The Sanoasa Multicenter is only suitable for use in homes and not in commercial properties.
- The multicenter are also available with the following options:
  - Pre-installed vapour barrier
  - Exclusive shower panel
  - Exclusive shower panel / Raindance
  - LED technology set of 4 lamps
  - Fibre glass cable 50 fibres / light points

i • All Sanoasa multicenters can also be produced according to individual dimensions and design requirements. Please ask for an individual quotation (for wedi contact data please see page 2). Further RAL colours for roof coatings are available on request.

## Sanoasa Porta

- Ready-to-install wall and roof elements
- Fundo floor element inclusive of drain
- Steam technology: steam generator inc. pre-installed pipes
- Shower technology: fully pre-installed pipes for the hand shower
- Massage technology: fully pre-installed pipes for 4 massage jets
- Cover plate for steam outlet nozzle made of stainless steel
- Inspection door
- hansgrohe pre-fabricated sets
- Coloured roof coating in RAL colour 9010
- Tileable seating element
- Glass door with metal fittings and door knob
- 1 glass wall including profile system
- 2 halogen lamps
- 2 loudspeakers

2 x labour

## m<sup>2</sup> Sanoasa Porta:

(Details plus tile cut-offs)

- Inside surface: approx. 6.00 m<sup>2</sup>
- External surface: approx. 9.00 m<sup>2</sup>
- only rear panel: approx. 2.60 m<sup>2</sup>
- Floor: approx. 1.50 m<sup>2</sup>
- Seating: approx. 1.00 m<sup>2</sup>

## Technical drawings

