

Sanoasa Vario cabins

wedi Sanoasa *Toretta* | Vario cabin



Sanoasa Toretta, with pitched roof



Sanoasa Toretta, with flat roof

Description

- wedi Sanoasa Toretta, with pitched roof
- wedi Sanoasa Toretta, with flat roof

Packing unit

- 1 unit
- 1 unit

Order no.

- 07-66-11/000
- 07-66-10/000

- ! Delivery takes 6–7 weeks.
- The wall and seating heating consists of pre-installed hot water heating pipes (12 mm PEX) inclusive of 1/2 inch outside connection thread. The heating technology should be set up on site.
- If it is to serve as a vapour bath, a base slope design to drain off the condensation is imperative.
- Epoxy resin coatings can be supplied acc. to the RAL colour system.
- Vario cabins are also available with the following options:
 - Wall heating (hot water heating)
 - Seat heating (hot water heating)
 - Epoxy resin coating pitched / flat roof

2 x labour

m² Sanoasa Toretta:

(Details plus tile cut-offs)

- Inside surface without roof: approx. 7.50 m²
- Outside surface without roof: approx. 9.50 m²
- Floor: approx. 0.70 m²
- Bench: approx. 1.10 m²

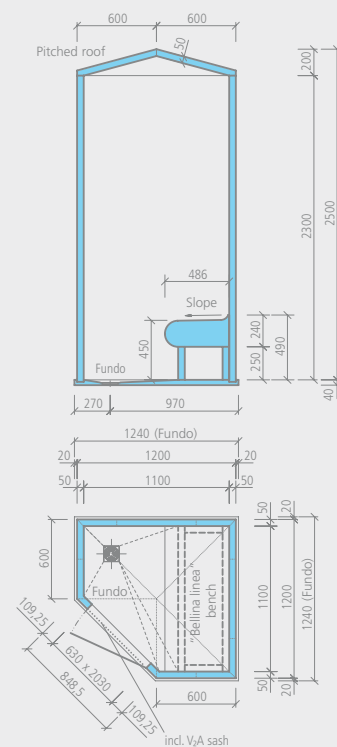
- i All the Sanoasa Vario cabins can also be created to satisfy individual dimensions and design requirements. Please ask for a specific quotation (please refer to page 2 for wedi's contact details).

Sanoasa Toretta

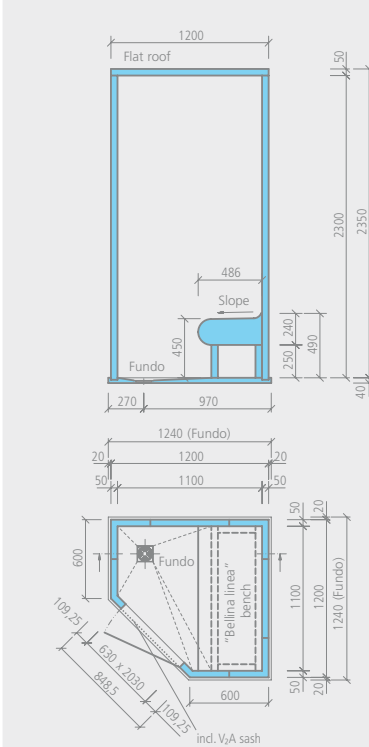
- Wall and roof elements ready for installation
- Tileable seating
- Fundo floor elements including drain
- Door frame made of stainless steel with glass door

Technical drawings

Sanoasa Toretta, with pitched roof



Sanoasa Toretta, with flat roof



wedi Sanoasa Pergola | Vario cabin



Sanoasa Pergola, with tunnel roof



Sanoasa Pergola, with flat roof

Description

- wedi Sanoasa Pergola, with tunnel roof
- wedi Sanoasa Pergola, with flat roof

Packing unit

- 1 unit
- 1 unit

Order no.

- 07-66-21/000
- 07-66-20/000

- ! Delivery takes 6–7 weeks.
- The wall and seating heating consists of pre-installed hot water heating pipes (12 mm PEX) inclusive of 1/2 inch outside connection thread. The heating technology should be set up on site.
- If it is to serve as a vapour bath, a base slope design to drain off the condensation is imperative.
- Epoxy resin coatings can be supplied acc. to the RAL colour system.
- Vario cabins are also available with the following options:
 - Wall heating (hot water heating)
 - Seat heating (hot water heating)
 - Epoxy resin coating pointed roof / flat roof

2 x labour

m² Sanoasa Pergola:

(Details plus tile cut-offs)

- Inside surface
 - without roof: approx. 11.00 m²
- Outside surface
 - without roof: approx. 12.50 m²
- Floor: approx. 1.10 m²
- Benches: approx. 2.20 m²

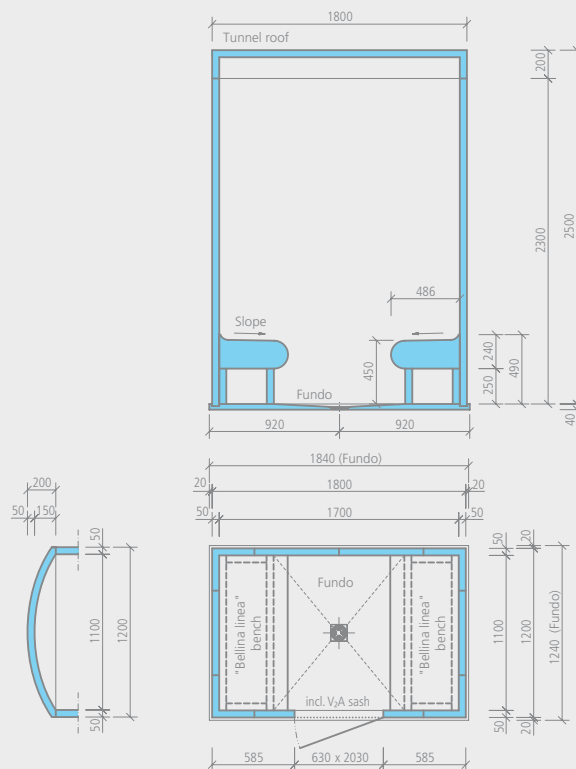
- i All the Sanoasa Vario cabins can also be created to satisfy individual dimensions and design requirements. Please ask for a specific quotation (please refer to page 2 for wedi's contact details).

🔧 Sanoasa Pergola

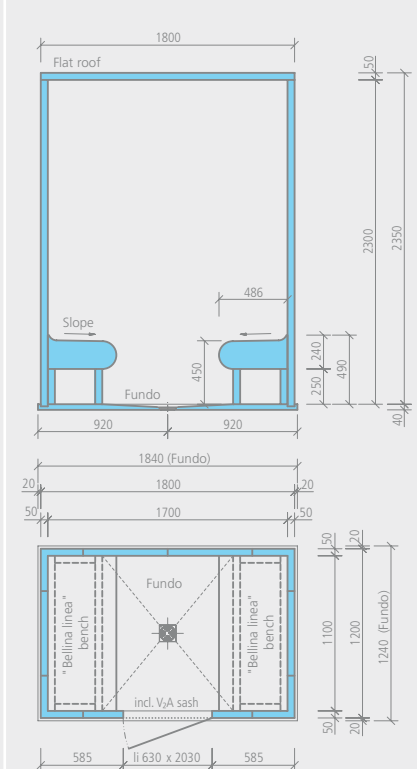
- Wall and roof elements ready for installation
- 2 tileable seating elements
- Fundo floor elements including drain
- Door frame made of stainless steel with glass door

Technical drawings

Sanoasa Pergola, with tunnel roof



Sanoasa Pergola, with flat roof



Sanoasa Vario cabins

wedi Sanoasa *Capricia* | Vario cabin



Sanoasa Capricia, with dome roof



Sanoasa Capricia, with flat roof

Description

- wedi Sanoasa Capricia, with dome roof
- wedi Sanoasa Capricia, with flat roof

Packing unit

- 1 unit
- 1 unit

Order no.

- 07-66-31/000
- 07-66-30/000

- ! Delivery takes 6–7 weeks.
- The wall and seating heating consists of pre-installed hot water heating pipes (12 mm PEX) inclusive of 1/2 inch outside connection thread. The heating technology should be set up on site.
- If it is to serve as a vapour bath, a base slope design to drain off the condensation is imperative.
- Epoxy resin coatings can be supplied acc. to the RAL colour system.
- Vario cabins are also available with the following options:
 - Wall heating (hot water heating)
 - Seat heating (hot water heating)
 - Epoxy resin coating dome / flat roof

👤 2 x labour

📐 Sanoasa Capricia:

(Details plus tile cut-offs)

- Inside surface without roof: approx. 12.00 m²
- Outside surface without roof: approx. 12.80 m²
- Floor: approx. 1.40 m²
- Benches: approx. 2.00 m²

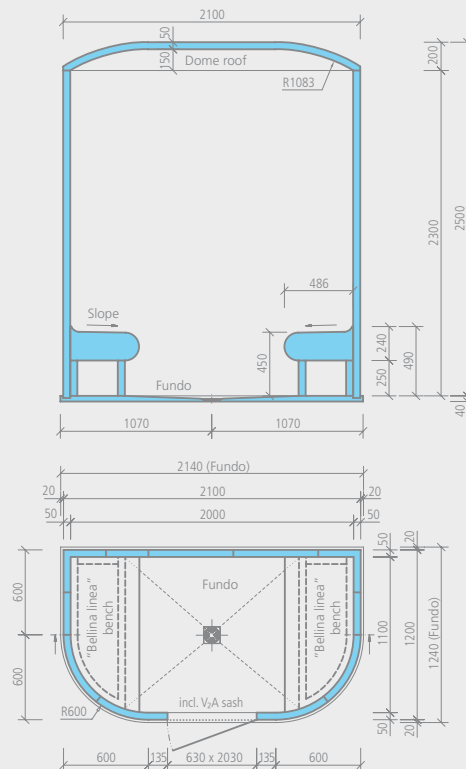
- i All the Sanoasa Vario cabins can also be created to satisfy individual dimensions and design requirements. Please ask for a specific quotation (please refer to page 2 for wedi's contact details).

📦 Sanoasa Capricia

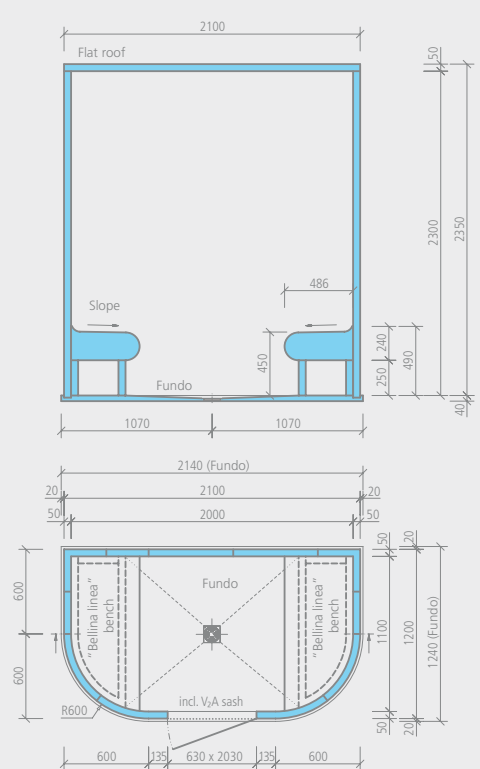
- Wall and roof elements ready for installation
- 2 tileable seating elements
- Fundo floor elements including drain
- Door frame made of stainless steel with glass door

Technical drawings

Sanoasa Capricia, with dome roof



Sanoasa Capricia, with flat roof



wedi Sanoasa *Bicocca* | Vario cabin



Sanoasa Bicocca, with pitched roof



Sanoasa Bicocca, with flat roof

Description

- wedi Sanoasa Bicocca, with pitched roof
- wedi Sanoasa Bicocca, with flat roof

Packing unit

- 1 unit
- 1 unit

Order no.

- 07-66-41/000
- 07-66-40/000

- ! Delivery takes 6–7 weeks.
- The wall and seating heating consists of pre-installed hot water heating pipes (12 mm PEX) inclusive of 1/2 inch outside connection thread. The heating technology should be set up on site.
- If it is to serve as a vapour bath, a base slope design to drain off the condensation is imperative.
- Epoxy resin coatings can be supplied acc. to the RAL colour system.
- Vario cabins are also available with the following options:
 - Wall heating (hot water heating)
 - Seat heating (hot water heating)
 - Epoxy resin coating pitched / flat roof

2 x labour

m² Sanoasa Bicocca:

(Details plus tile cut-offs)

- Inside surface
 - without roof: approx. 11.00 m²
- Outside surface
 - without roof: approx. 12.50 m²
- Floor: approx. 1.30 m²
- Benches: approx. 2.40 m²

- i All the Sanoasa Vario cabins can also be created to satisfy individual dimensions and design requirements. Please ask for a specific quotation (please refer to page 2 for wedi's contact details).

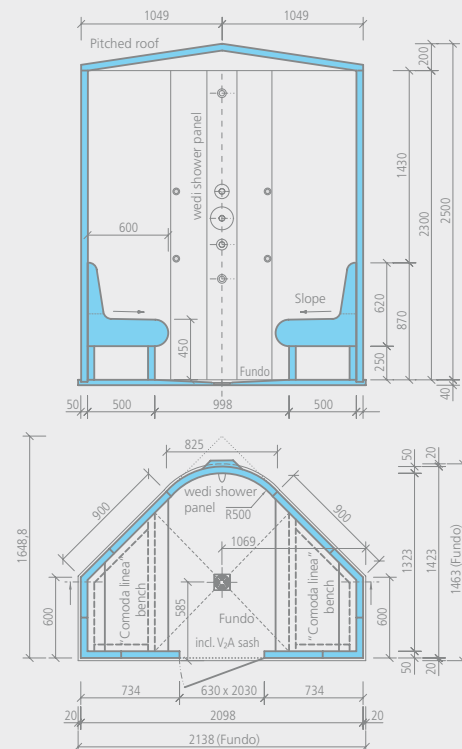
Sanoasa Bicocca

- Wall and roof elements ready for installation
- Fundo floor elements including drain
- Shower technology: completely pre-installed pipes for the hand shower
- Massage technology: completely pre-installed pipes for 4 massage nozzles

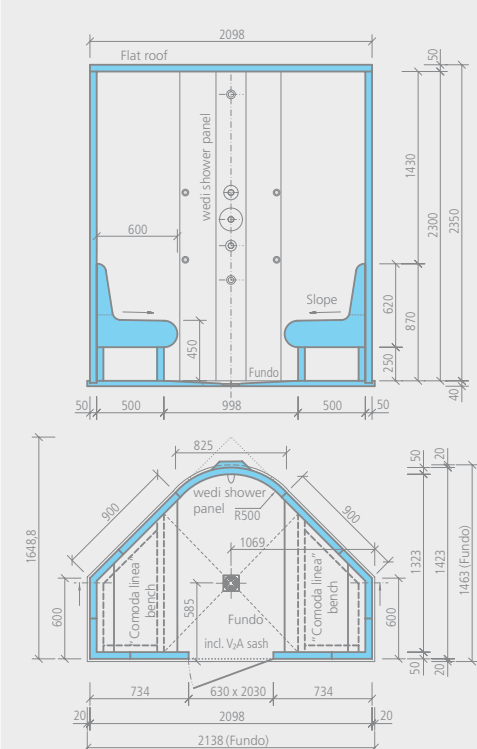
- 2 tileable seating elements
- Door frame made of stainless steel with glass door

Technical drawings

Sanoasa Bicocca, with pitched roof



Sanoasa Bicocca, with flat roof



Sanoasa Vario cabins

wedi Sanoasa *Vista* | Vario cabin



Description

wedi Sanoasa Vista, with tunnel roof

Packing unit

Order no.

1 unit

07-66-50/000

- ! • Delivery takes 6–7 weeks.
- The wall and seating heating consists of pre-installed hot water heating pipes (12 mm PEX) inclusive of 1/2 inch outside connection thread. The heating technology should be set up on site.
- Epoxy resin coatings can be supplied acc. to the RAL colour system.
- Vario cabins are also available with the following options:
 - Wall heating (hot water heating)
 - Seat heating (hot water heating)
 - Epoxy resin coating tunnel roof

2 x labour

m² Sanoasa Vista:

(Details plus tile cut-offs)

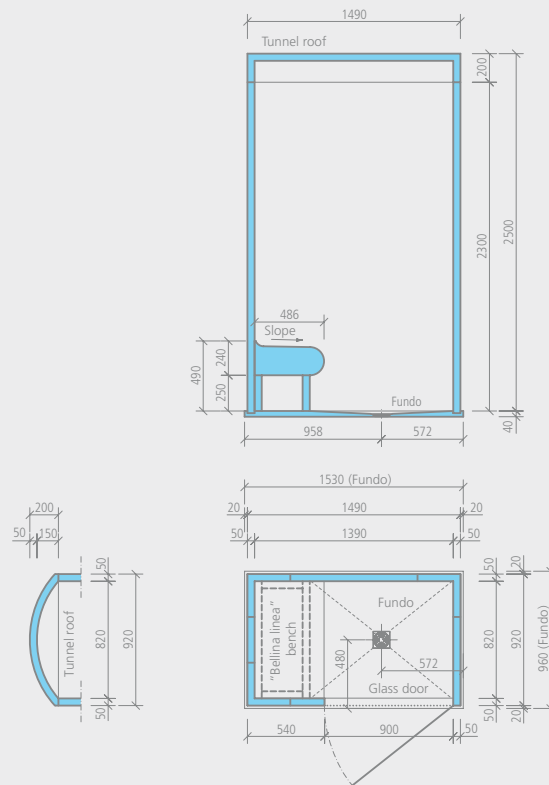
- Inside surface without roof: approx. 8.00 m²
- Outside surface without roof: approx. 9.50 m²
- Floor: approx. 0.90 m²
- Bench: approx. 0.90 m²

- i • All the Sanoasa Vario cabins can also be created to satisfy individual dimensions and design requirements. Please ask for a specific quotation (please refer to page 2 for wedi's contact details).

Sanoasa Vista

- Wall and roof elements ready for installation
- Tileable seating element
- Fundo floor elements including drain
- Glass door

Technical drawings



wedi Sanoasa *Panorama* | Vario cabin



Description

wedi Sanoasa Panorama, with tunnel roof

Packing unit

1 unit

Order no.

07-66-60/000

- ! • Delivery takes 6–7 weeks.
- The wall and seating heating consists of pre-installed hot water heating pipes (12 mm PEX) inclusive of 1/2 inch outside connection thread. The heating technology should be set up on site.
- Epoxy resin coatings can be supplied acc. to the RAL colour system.
- Vario cabins are also available with the following options:
 - Wall heating (hot water heating)
 - Seat heating (hot water heating)
 - Epoxy resin coating tunnel roof

2 x labour

m² Sanoasa Panorama:

(Details plus tile cut-offs)

- Inside surface without roof: approx. 5.50 m²
- Outside surface without roof: approx. 6.80 m²
- Floor: approx. 0.90 m²
- Benches: approx. 0.90 m²

- i • All the Sanoasa Vario cabins can also be created to satisfy individual dimensions and design requirements. Please ask for a specific quotation (please refer to page 2 for wedi's contact details).

Sanoasa Panorama

- Wall and roof elements ready for installation
- Tileable seating element
- Fundo floor elements including drain
- Glass door and glass screen

Technical drawings

