

Sanbath Wave

wedi Sanbath *Wave* | tub



Description	Length x width x height	Packing unit	Order no.
wedi Sanbath Wave, tub	1800 x 850 x 625 mm	1 unit	07-36-01/001

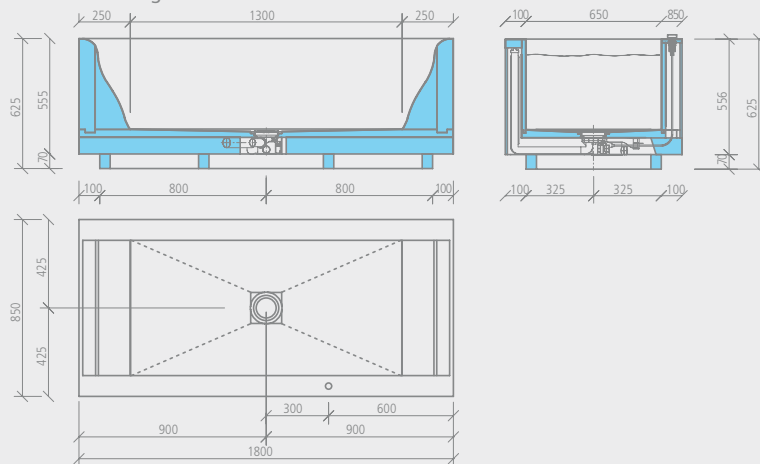
! • Delivery time is approx. 4 – 5 weeks.

- 🔧** • 1 Bathtub element with drain and overflow fitting, connection DN 40/50, inspection chamber for provided fittings
- Fundo Fino exclusive drain grate
- Fundo Fino elegant frame

m² Sanbath Wave, tub:

- Inside: approx. 2.90 m²
- Engraved round outside edge: approx. 3.40 m²

Technical drawings



wedi Sanbath *Wave* | wash basin



Description	Length x width x height	Packing unit	Order no.
wedi Sanbath Wave, wash basin	1000 x 550 x 200 mm	1 unit	07-36-03/000

! • The wash basin is prepared for installation of siphon (1 ¼") and fittings.

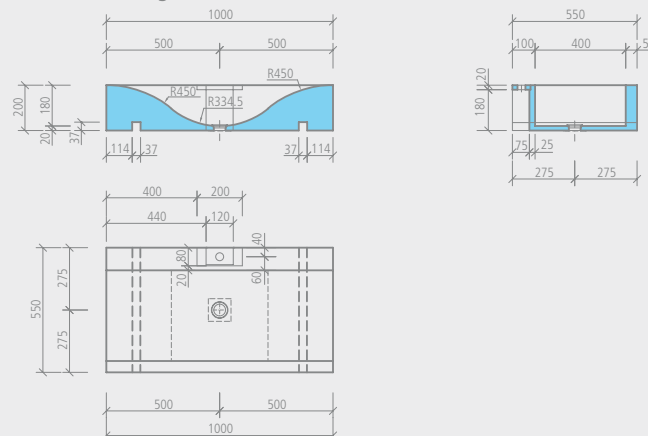
• Delivery time is approx. 4 – 5 weeks.

- 🔧** • 1 wash basin element
- 1 wall fixing (only for flush-mounted fitting)

m² Sanbath Wave, wash basin:

- Engraved round outside edge: approx. 1.50 m²

Technical drawings



wedi Sanbath *Wave* | shower unit



Description

wedi Sanbath Wave, shower unit

Height x width x depth

2500 x 1010.5 x 400 mm

Packing unit

1 unit

Order no.

07-36-02/000

! • Delivery time is approx. 4 – 5 weeks.

🔧 • 1 shower unit element with 1 hansgrohe iBox
(with prefabricated piping for a head shower)

📐 Sanbath Wave, shower unit:

- Front + sides: approx. 2.06 m²
- Top: approx. 0.84 m²

Technical drawings

