

Sanbath Cube

wedi Sanbath *Cube* | tub



Description	Length x width x height	Packing unit	Order no.
wedi Sanbath Cube, Wanne	1800 x 850 x 625 mm	1 unit	07-36-07/001

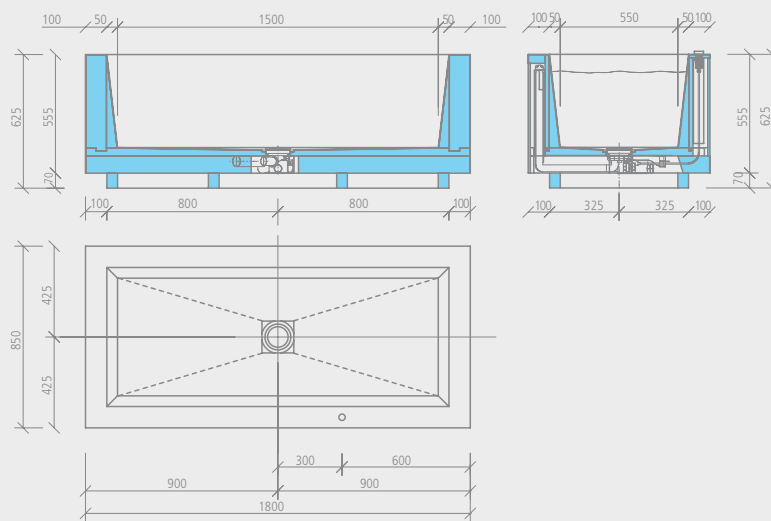
! • Delivery time is approx. 4 – 5 weeks.

- 🔧** • 1 Bathtub element with drain and overflow fitting, connection DN 40/50, inspection chamber for provided fittings
- Fundo Fino exclusive drain grate
- Fundo Fino elegant frame

m² Sanbath Cube, tub:

- Inside: approx. 2.80 m²
- Engraved round outside edge: approx. 3.30 m²

Technical drawings



wedi Sanbath *Cube* | wash stand



Description	Length x width x height	Packing unit	Order no.
wedi Sanbath Cube, wash stand	570 x 570 x 925 mm	1 unit	07-36-06/000

! • The wash basin is prepared for installation of siphon (1 ¼") and fittings.

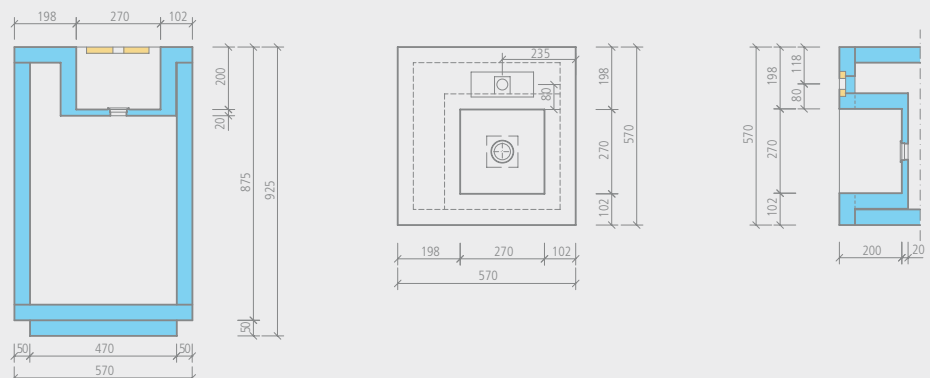
• Delivery time is approx. 4 – 5 weeks.

- 🔧** • 1 wash stand
- 1 siphon, connection DN 50

m² Sanbath Cube, wash stand:

- Top + inside: approx. 0.60 m²
- Engraved round outside edge: approx. 2.00 m²


Technical drawings




wedi Sanbath *Cube* | shower unit




Description	Height x width x depth	Packing unit	Order no.
wedi Sanbath Cube, shower unit	2200 x 400 x 850 mm	1 unit	07-36-05/000

 • Delivery time is approx. 4 – 5 weeks.

 **m²** Sanbath Cube, shower unit:

• Front + sides + top: approx. 3.30 m²

 • 1 shower unit element with 1 hansgrohe iBox
(with prefabricated piping for a head shower)

Technical drawings

