

Sanbath Cube

wedi Sanbath *Cube* | tub



Description	Length x width x height	Packing unit	Order no.
wedi Sanbath Cube, Wanne	1800 x 850 x 625 mm	1 unit	07-36-07/001

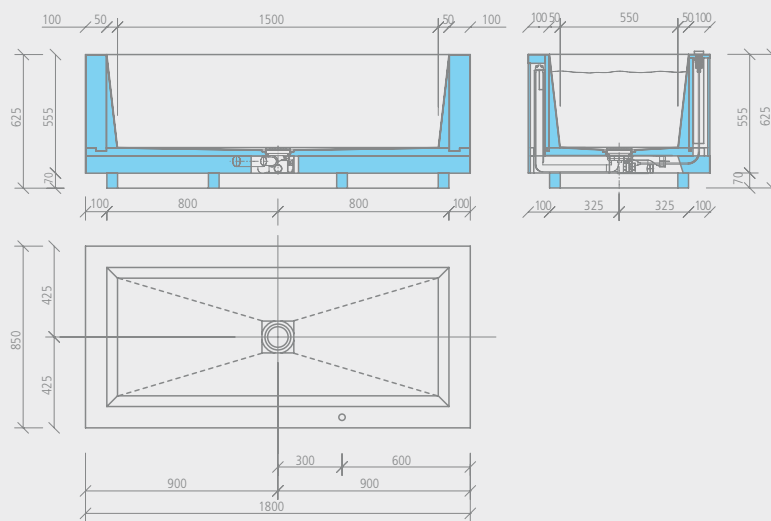
**!** • Delivery time is approx. 4 – 5 weeks.

- 🔧** • 1 Bathtub element with drain and overflow fitting, connection DN 40/50, inspection chamber for provided fittings
- Fundo Fino exclusive drain grate
- Fundo Fino elegant frame

**m²** Sanbath Cube, tub:

- Inside: approx. 2.80 m²
- Engraved round outside edge: approx. 3.30 m²

Technical drawings



wedi Sanbath *Cube* | wash stand



Description	Length x width x height	Packing unit	Order no.
wedi Sanbath Cube, wash stand	570 x 570 x 925 mm	1 unit	07-36-06/000

**!** • The wash basin is prepared for installation of siphon (1 ¼") and fittings.

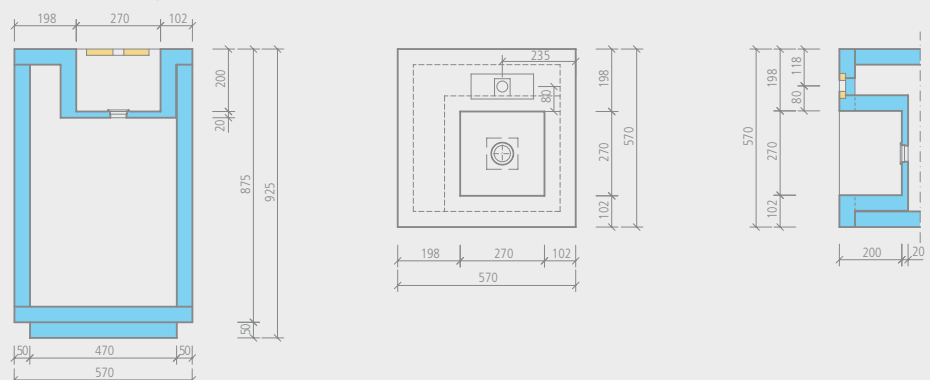
• Delivery time is approx. 4 – 5 weeks.

- 🔧** • 1 wash stand
- 1 siphon, connection DN 50

**m²** Sanbath Cube, wash stand:

- Top + inside: approx. 0.60 m²
- Engraved round outside edge: approx. 2.00 m²

Technical drawings



# wedi Sanbath *Cube* | shower unit



Description	Height x width x depth	Packing unit	Order no.
wedi Sanbath Cube, shower unit	2200 x 400 x 850 mm	1 unit	07-36-05/000

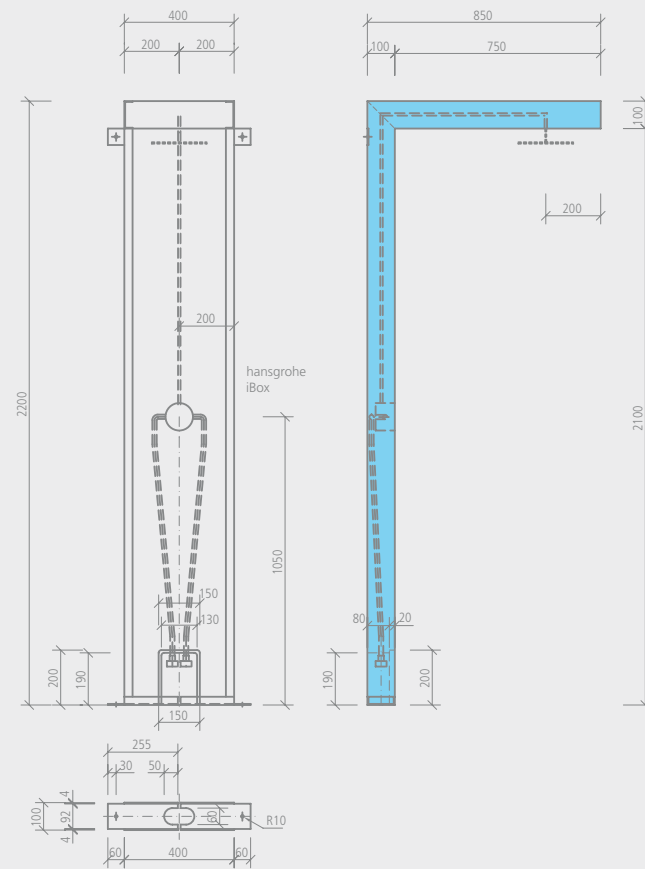
• Delivery time is approx. 4 – 5 weeks.

Sanbath Cube, shower unit:

• Front + sides + top: approx. 3.30 m<sup>2</sup>

• 1 shower unit element with 1 hansgrohe iBox  
(with prefabricated piping for a head shower)

## Technical drawings



# Sanbath Wave

## wedi Sanbath *Wave* | tub



Description	Length x width x height	Packing unit	Order no.
wedi Sanbath Wave, tub	1800 x 850 x 625 mm	1 unit	07-36-01/001

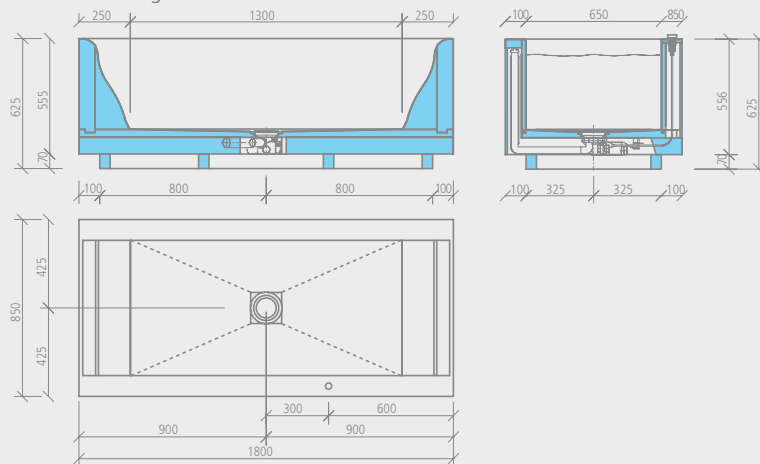
**!** • Delivery time is approx. 4 – 5 weeks.

- 🔧** • 1 Bathtub element with drain and overflow fitting, connection DN 40/50, inspection chamber for provided fittings
- Fundo Fino exclusive drain grate
- Fundo Fino elegant frame

**m²** Sanbath Wave, tub:

- Inside: approx. 2.90 m²
- Engraved round outside edge: approx. 3.40 m²

### Technical drawings



## wedi Sanbath *Wave* | wash basin



Description	Length x width x height	Packing unit	Order no.
wedi Sanbath Wave, wash basin	1000 x 550 x 200 mm	1 unit	07-36-03/000

**!** • The wash basin is prepared for installation of siphon (1 ¼") and fittings.

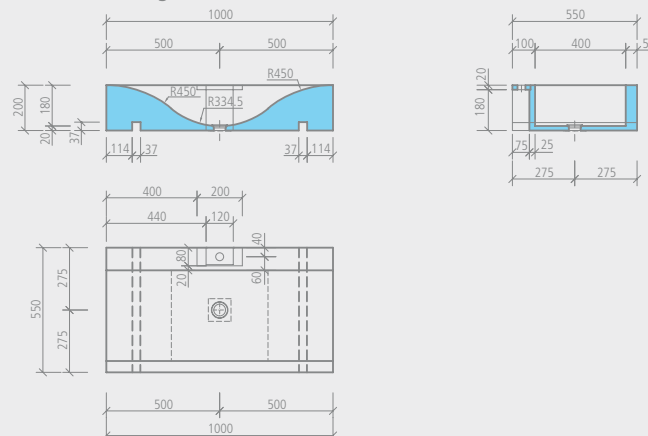
• Delivery time is approx. 4 – 5 weeks.

- 🔧** • 1 wash basin element
- 1 wall fixing (only for flush-mounted fitting)

**m²** Sanbath Wave, wash basin:

- Engraved round outside edge: approx. 1.50 m²

### Technical drawings



## wedi Sanbath *Wave* | shower unit



Description

wedi Sanbath Wave, shower unit

Height x width x depth

2500 x 1010.5 x 400 mm

Packing unit

1 unit

Order no.

07-36-02/000

! • Delivery time is approx. 4 – 5 weeks.

🔧 • 1 shower unit element with 1 hansgrohe iBox  
(with prefabricated piping for a head shower)

📏 Sanbath Wave, shower unit:

- Front + sides: approx. 2.06 m<sup>2</sup>
- Top: approx. 0.84 m<sup>2</sup>

### Technical drawings

